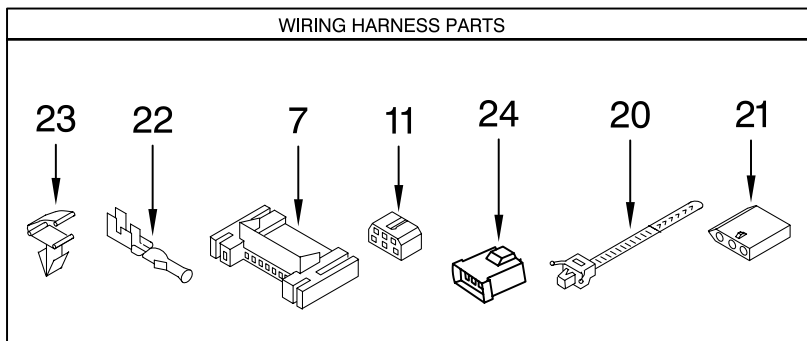
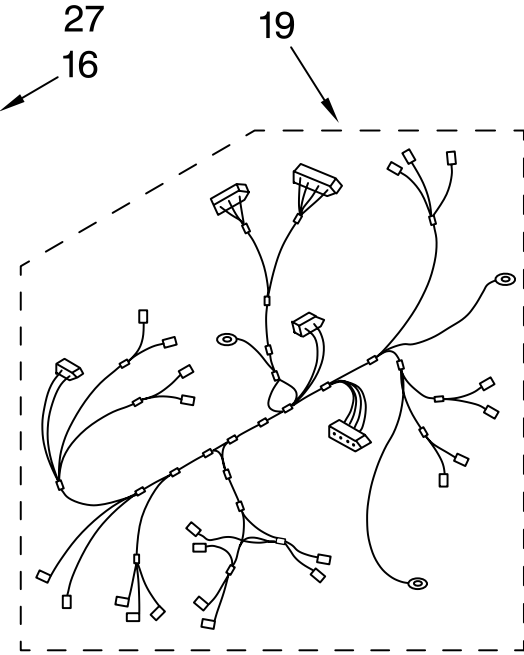
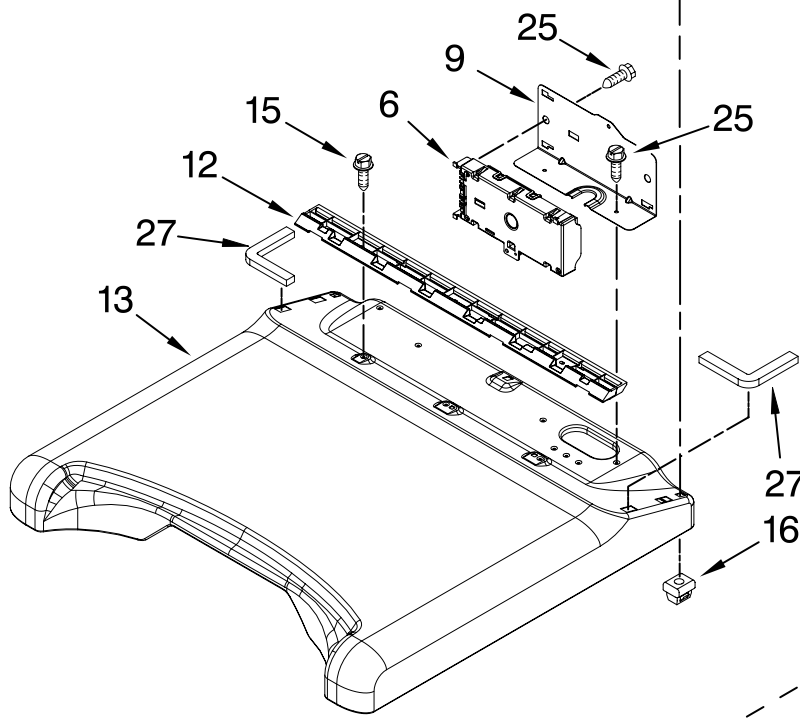
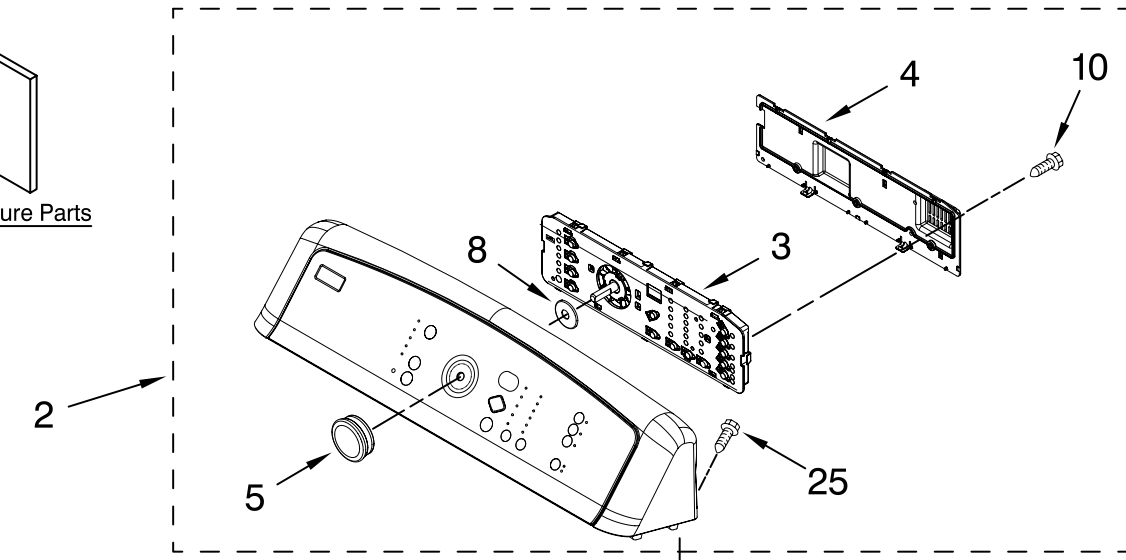
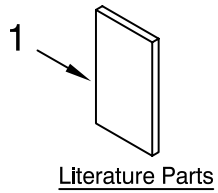


For Model: MGDB400VQ0

(White Color Coordinated)



TOP AND CONSOLE PARTS

For Model: MGDB400VQ0

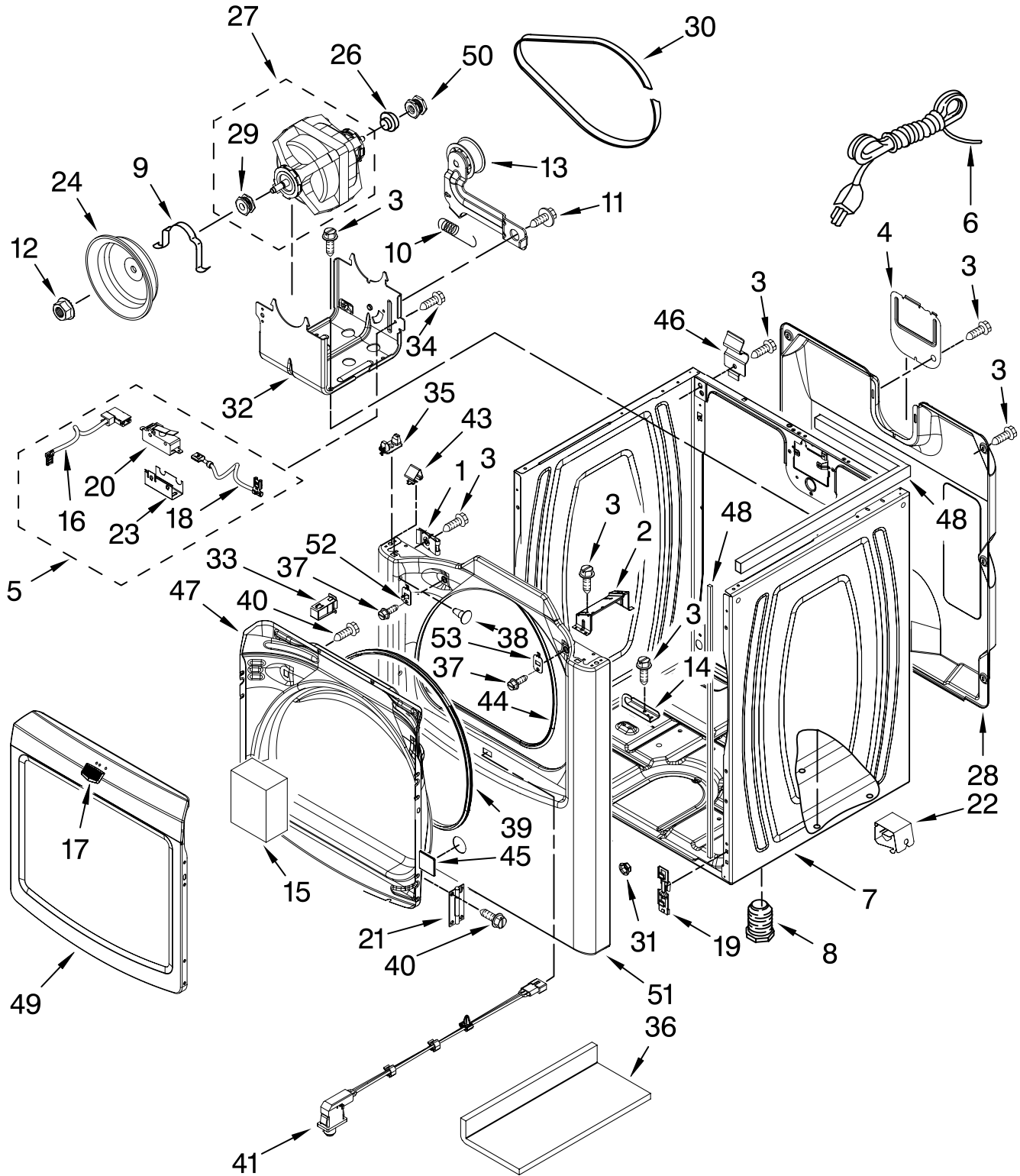
(White Color Coordinated)

| Illus. | Part | |
|---------------|-------------|-----------------------------------------|
| No. | No. | DESCRIPTION |
| 1 | | Literature Parts |
| | W10200966 | Perf. Tips Sheet |
| | W10156734 | Tech, Sheet |
| | W10201175 | Guide, Use & Care |
| | W10201170 | Guide, Quick Start |
| 2 | W10110298 | Console Assembly |
| 3 | W10222206 | Assembly, User Interface |
| 4 | W10051124 | Cover, UI-Assembly |
| 5 | W10051126 | Knob, Assembly |
| 6 | W10111621 | Control Electronic |
| 7 | 3395683 | Connector (Motor) |
| 8 | 8572039 | Seal, UI |
| 9 | 8563853 | Bracket, Machine Controller |
| 10 | W10003770 | Screw |
| 11 | 3347243 | Connector, 6-Circuit Assembly |
| 12 | W10110295 | Bracket, Console |
| 13 | W10111848 | Top User Interface |
| 15 | 337686 | Screw, 8-18 x 1/2 |
| 16 | W10112673 | Clip, console |
| 19 | W10111056 | Harness, Wiring Main |
| 20 | 3391018 | Tie, Cable |
| 21 | 3936144 | Connector |
| 22 | 94613 | Terminal |
| 23 | 3394427 | Clip, Harness |
| 24 | 3403498 | Connector, 3-Position (Gas Valve) |
| 25 | W10131402 | Screw (3) |
| 27 | W10219695 | Seal, top(LH) |
| | W10219694 | Seal, top(RH) |

CABINET PARTS

For Model: MGDB400VQ0

(White Color Coordinated)



CABINET PARTS

For Model: MGDB400VQ0

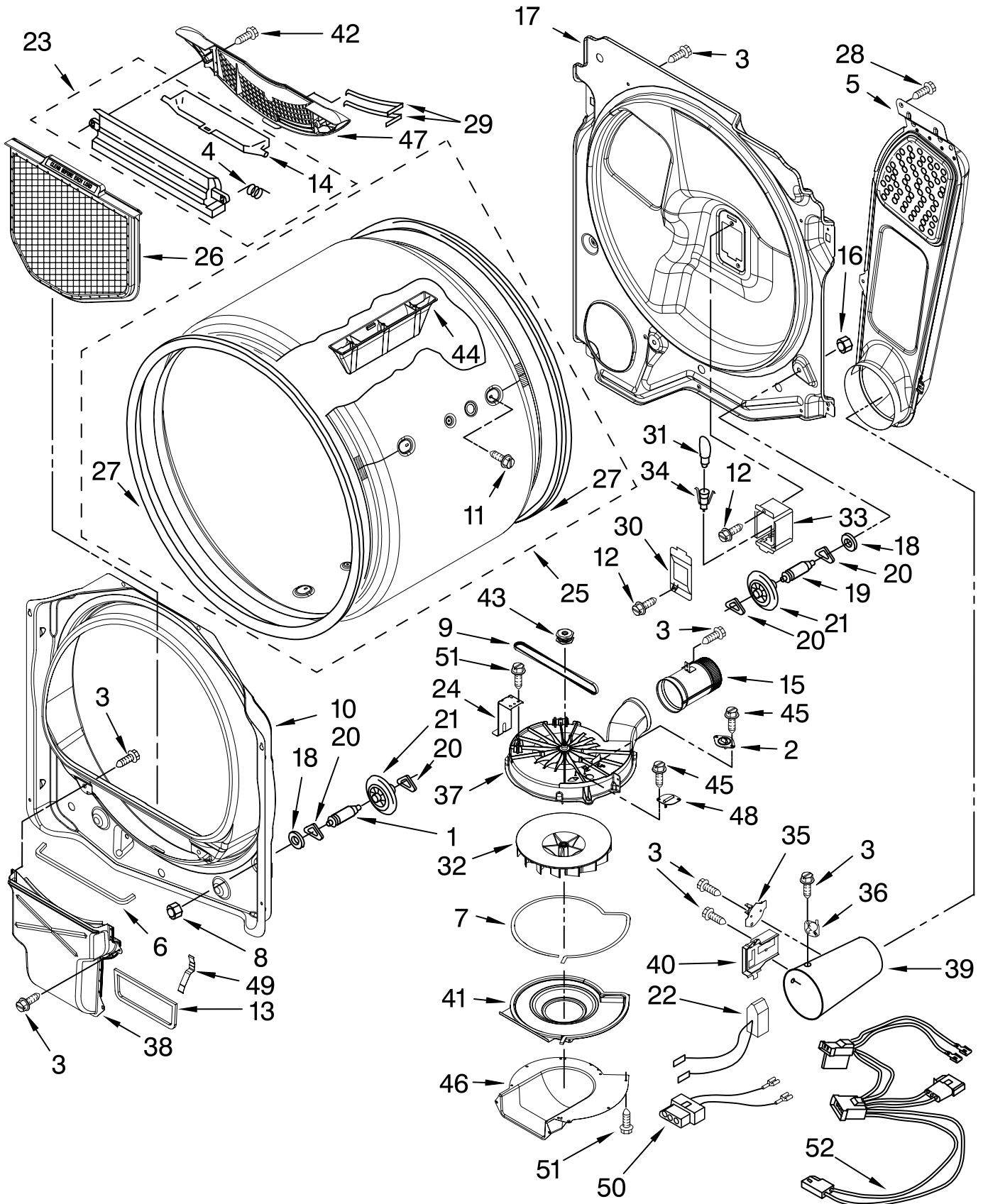
(White Color Coordinated)

| Illus. No. | Part No. | DESCRIPTION | Illus. No. | Part No. | DESCRIPTION | Illus. No. | Part No. | DESCRIPTION |
|------------|-----------|---------------------------------------------------------------|------------|-----------|---------------------------------|------------|-----------|-------------------------|
| 1 | W10007520 | Clip, Ground | 17 | W10153170 | Badge | 34 | W10002600 | Screw, 6-20 x 1 1/4 |
| 2 | 8544753 | Bracket, Burner | 18 | W10167613 | Wire-Belt Switch (To Protector) | 35 | 8568303 | Locator, Snap Down (2) |
| 3 | 3390631 | Screw, 10-16 x 3/8 | 19 | 3394083 | Clip, Front Panel (2) | 36 | W10215725 | Cover, door switch |
| 4 | 8558833 | Plate, Cover Terminal Block | 20 | 8564010 | Switch & Actuator Assembly | 37 | 3400805 | Screw, 8-18 x.375 |
| 5 | 8564012 | Switch, Assembly | 21 | 8579717 | Assembly, Hinge (2) | 38 | W10144494 | Plug-Hole |
| 6 | 344020 | Cord, Power | 22 | W10183818 | Cover, gas valve | 39 | W10215728 | Seal-Door |
| 7 | W10183827 | Cabinet | 23 | 8564011 | Bracket, Switch | 40 | 342055 | Screw, 8-18 x 18 |
| 8 | 3392100 | Foot, Dryer | 24 | 8576626 | Fly-Wheel | 41 | W10201785 | Door Switch Assembly |
| | 279810 | Foot - Optional (Extended Length Package Of 2) (Not Included) | 26 | 3393657 | Restrainer, Belt | 43 | 8576625 | Lock, Top Front |
| 9 | 660658 | Clamp, Motor (2) | 27 | W10136932 | Motor, Assembly 60 HZ. | 44 | W10044490 | Seal, Front Panel |
| 10 | 3387374 | Spring, Idler | 28 | 8558830 | Panel, Rear | 45 | 8564457 | Plug, Front Panel |
| 11 | 3389420 | Retainer, Idler | 29 | W10139247 | Pulley, Blower | 46 | 238088 | Hinge Top (2) |
| 12 | W10001340 | Nut, Fly Wheel | 30 | W10136934 | Belt, Drive | 47 | W10111879 | Door, Inner |
| 13 | 8547160 | Pulley Assembly | 31 | 8578560 | Hole, Plug (Cabinet Base) | 48 | W10226482 | Seal, foam |
| 14 | W10201446 | Bracket-Gas Pipe | 32 | 8547158 | Bracket, Motor | 49 | W10111876 | Door, Outer |
| 15 | W10111867 | Filler | 33 | W10111905 | Door Catch Assembly | 50 | W10136930 | Pulley, Drum Motor |
| 16 | 8539892 | Wire, Motor (To Belt Switch) | | | | 51 | W10236201 | Panel, Front |
| | | | | | | 52 | W10111906 | Strike & Plate Assembly |
| | | | | | | 53 | W10111888 | Plug, Strike |

BULKHEAD PARTS

For Model: MGDB400VQ0

(White Color Coordinated)



BULKHEAD PARTS

For Model: MGDB400VQ0

(White Color Coordinated)

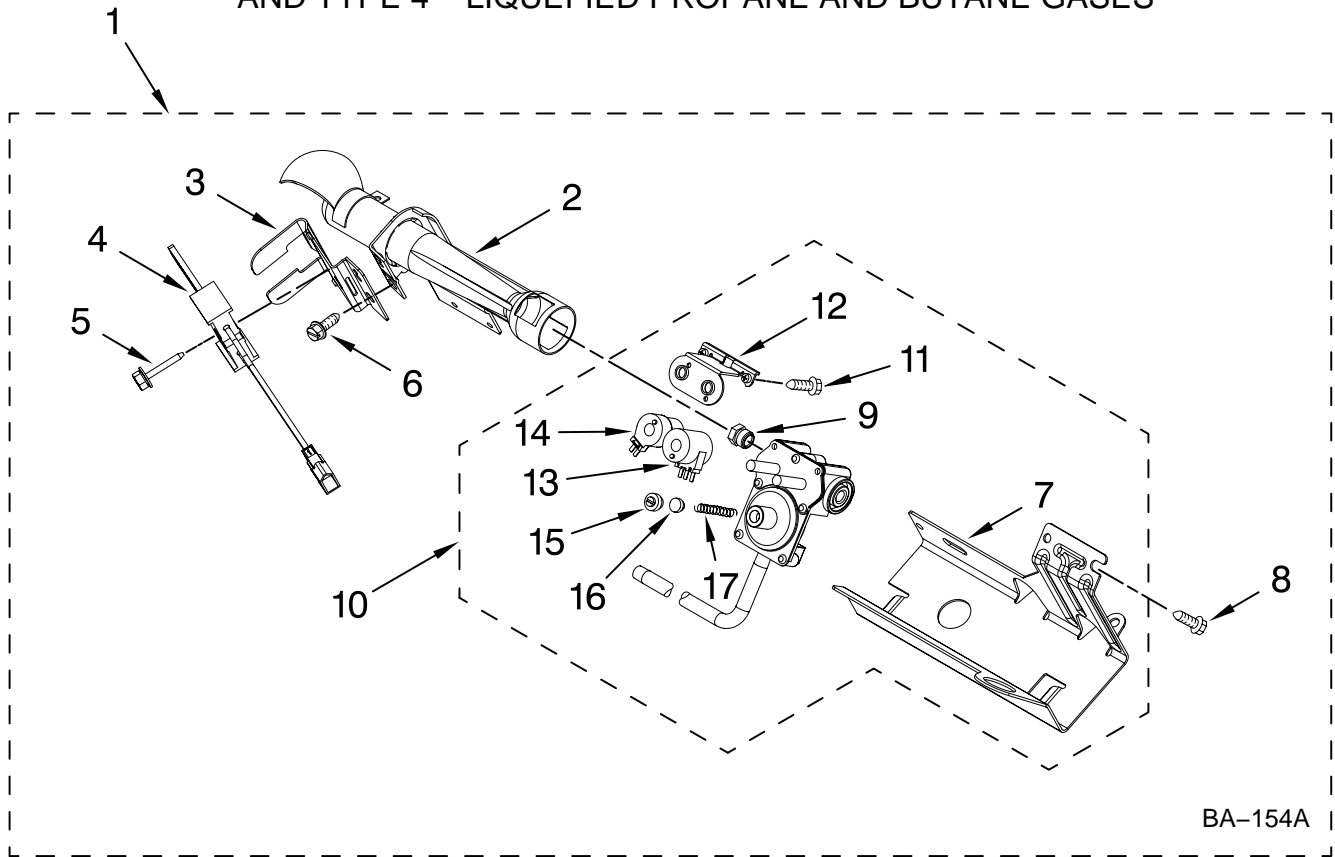
| Illus. No. | Part No. | DESCRIPTION | Illus. No. | Part No. | DESCRIPTION | Illus. No. | Part No. | DESCRIPTION |
|------------|-----------|-------------------------------|------------|-----------|--------------------------------|------------|-----------|----------------------------------|
| 1 | 8575324 | Shaft, R.H. Thread | 17 | 8557234 | Bulkhead, Rear | 34 | W10168632 | Socket, Assembly |
| 2 | 8577274 | Thermistor, Blower Housing | 18 | 3387459 | Washer, Support | 35 | 8573713 | Thermal Cut-Off |
| 3 | 90767 | Screw, 8-18 x 3/8 | 19 | 8575325 | Shaft, L.H. Thread | 36 | 3391912 | Thermostat, High-Limit |
| 4 | 3394986 | Spring, Lint Screen Door | 20 | 690997 | Ring, Tri | 37 | 8544735 | Housing, Blower |
| 5 | 8544757 | Air Duct Assembly | 21 | 8536973 | Roller, Support | 38 | 8544786 | Lint Duct Assembly |
| 6 | 697813 | Seal, Outlet Housing | 22 | 8539889 | Harness, Flame Switch | 39 | 8573824 | Funnel, Burner |
| 7 | 8573068 | Seal, Blower Cover | 23 | 3394985 | Outlet Housing Assembly | 40 | 338906 | Sensor, Radiant |
| 8 | 3934666 | Nut, 3/8 x 16(R.H.) | 24 | 8544741 | Bracket, Blower Housing (2) | 41 | 8544719 | Cover, Blower (Includes No.7) |
| 9 | 8544742 | Belt-Blower | 25 | 8557269 | Complete Drum Assembly | 42 | 3387230 | Screw, 10-16 x 13/16 |
| 10 | 8557244 | Bulkhead Front | 26 | W10178353 | Lint Screen | 43 | 8544739 | Pulley, Blower |
| 11 | W10219342 | Screw, 11-16 x 3/4 | 27 | W10116344 | Seal, Drum | 44 | 8563860 | Baffle, Drum |
| 12 | 487909 | Screw, 8-15 x 1/2 | 28 | 693995 | Screw | 45 | 3350424 | Screw |
| 13 | 8544721 | Seal, Lint Duct | 29 | 3387223 | Electrode, Sensor | 46 | 8544718 | Duct-Inlet Blower |
| 14 | 3394984 | Door, Lint Screen | 30 | 3402841 | Lens, Drum Light | 47 | 8544723 | Grill, Outlet |
| 15 | 8544755 | Exhaust Pipe | 31 | 3406124 | Bulb, Light | 48 | 3390719 | Thermal Fuse |
| 16 | W10001120 | Nut, 3/8-16 (L.H.) | 32 | 8544737 | Wheel, Blower | 49 | 8573070 | Clip, Lint Duct |
| | | | 33 | 3977373 | Bracket, Light | 50 | 353424 | Hous-3 CKT.093 RCP |
| | | | | | | 51 | 97787 | Screw, 11-16x.750 |
| | | | | | | 52 | W10111028 | Gas Harness |

8557891 BURNER ASSEMBLY

For Model: MGDB400VQ0

(White Color Coordinated)

USE WITH TYPE 1 – NATURAL
AND TYPE 4 LIQUEFIED PROPANE AND BUTANE GASES



BA-154A

| Illus. No. | Part No. | DESCRIPTION |
|------------|----------|-------------------------------------------------|
| 1 | 8557891 | Burner Assembly 60 Hz. (Type 1) (White Rodgers) |
| 2 | 8573010 | Tube, Burner |
| 3 | 694298 | Bracket, Ignitor |
| 4 | 686590 | Ignitor |
| 5 | 3393909 | Screw & Washer (8-32 x 7/8) |
| 6 | 343641 | Screw, 10-16 x 1/2 |
| 7 | 8544751 | Base, Burner |
| 8 | 3387057 | Screw, 8-18 x 3/8 |

| Illus. No. | Part No. | DESCRIPTION |
|------------|----------|-----------------------------------------------------------|
| 9 | | Orifice, Burner |
| | 15418 | Type 1 |
| | 15422 | Type 4 (Butane) |
| | 229742 | Type 4 (Propane) |
| 10 | 8573071 | Valve, Gas 60 Hz. (Complete) (Includes Pipe & Illus. #7). |
| 11 | 694421 | Screw, 8-32 x 1/2 (2) |
| 12 | 8182790 | Bracket, Coil |
| 13 | 694540 | Coil, 60 Hz. (2 Terminal) (Main) |

| Illus. No. | Part No. | DESCRIPTION |
|------------|----------|----------------------------------------------------|
| 14 | 694539 | Coil, 60 Hz. (Split) (3 Terminal) (Pilot Position) |
| 15 | 694424 | Leak, Limiter |
| 16 | 694423 | Screw, Regulator Adjustment |
| 17 | 694422 | Spring, Regulator |

Following Parts Not Illustrated

8576846 Conversion Kit (Type 1) to Type (4) LPG.

OPTIONAL PARTS (NOT INCLUDED)

For Model: MGDB400VQ0

(White Color Coordinated)

| Illus. | Part | |
|---------------|-------------|--------------------|
| No. | No. | DESCRIPTION |

ACCESSORY PARTS

| | |
|---------|-----------------------------------------------------------|
| 80047 | Kit, Dryer Repair |
| 8522199 | Kit, Dryer Vent Testing |
| 346764 | Kit, Hold-Down (Gas Dryer Mobile Home Installation) |

PAINT, TOUCH-UP (1/2oz.)

| | |
|-------|-------|
| 72017 | White |
|-------|-------|

PAINT, PRESSURIZED SPRAY (12 oz.)

| | |
|--------|--------------|
| 350930 | White |
| 350938 | Primer, Gray |

PAINT, BULK (1 qt.)

| | |
|--------|---------------|
| 799344 | White (Uncut) |
|--------|---------------|